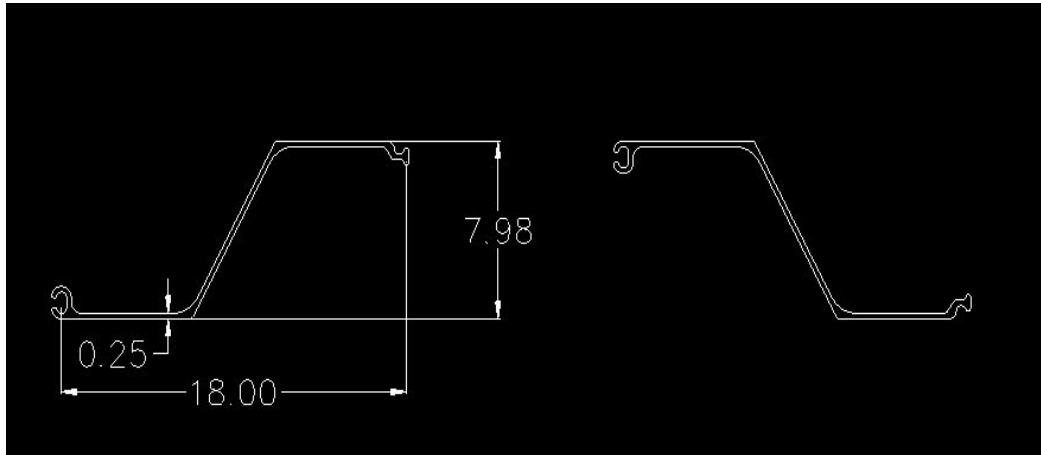


Unicomposite Technolgoy Co., Ltd

Add: No.118 Daguang Road, Nanjing, Jiangsu, China 210007 Tel: 86-25-84585980



No.	Item	Technical Data
1	Pile Shape	Z-Profile
2	Section modulus(Z)	698cm ³ /m
3	Moment of Inertia	37.15 in ⁴ /ft
4	Section Modulus	10.25 in ³ /ft
5	Working Stress	12,500 psi
6	Allowable Moment	48.19KN/m
7	Cross-Sectional Area	3.98 in ² /ft
8	Width of Sheeting Section	18.00"
9	Section Depth	7.98"
10	Thickness	0.25"
11	Weight	4.49 lbs/ft